



SIZE :

80×80×38mm

CONSTRUCTION :

- Die-cast aluminum housing
- Glass fiber reinforced plastic impeller, UL 94V-0 rating
- Impedance protected
- Leader wire or terminal is available

OPERATING TEMPERATURE :

Ball Bearing -30°C to + 75°C

Sleeve Bearing -10°C to + 70°C

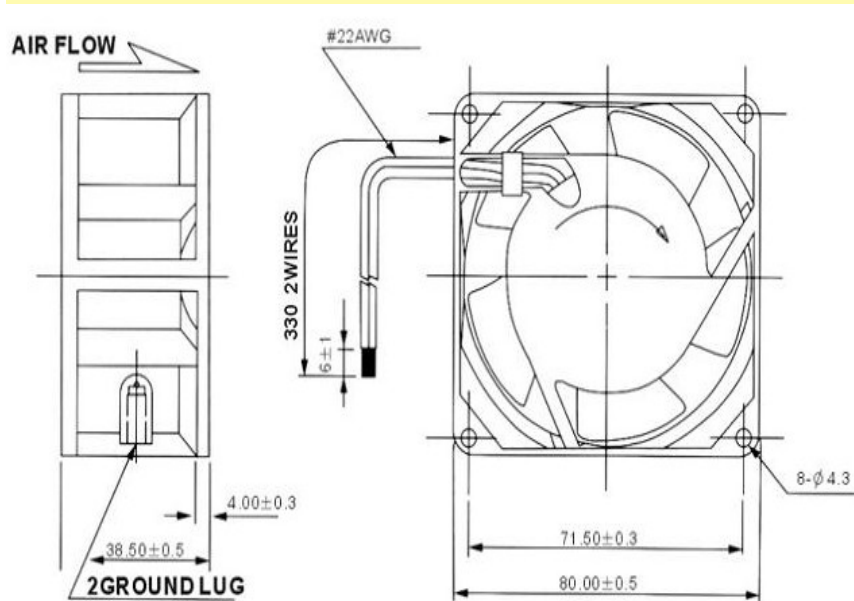
WEIGHT :

340 grams

Specifications

Specifications are subject to change without notice

MODEL	BEARING	RATING VOLTAGE	FREQUENCY	RATING CURRENT	POWER CONSUMPTION	SPEED	AIR FLOW		STATIC PRESSURE	NOISE
		VAC	Hz	A	W	RPM	m ³ /min	CFM	mmH ₂ O	dB-A
FA8038HA1	Ball	115	50/60	0.15/0.13	14/12	2400/2850	0.68/0.88	24/31	3.30/4.83	31/35
FA8038HA1	Sleeve									
FA8038HA2	Ball	220/240	50/60	0.08/0.07	14/12	2400/2850	0.68/0.88	24/31	3.30/4.83	31/35
FA8038HA2	Sleeve									



UNIT:mm

