



SIZE :

92×92×25mm

CONSTRUCTION :

- Die-cast aluminum housing
- Glass fiber reinforced plastic impeller, UL 94V-0 rating
- Impedance protected
- Leader wire or terminal is available

OPERATING TEMPERATURE :

Ball Bearing -30°C to + 75°C

Sleeve Bearing -10°C to + 70°C

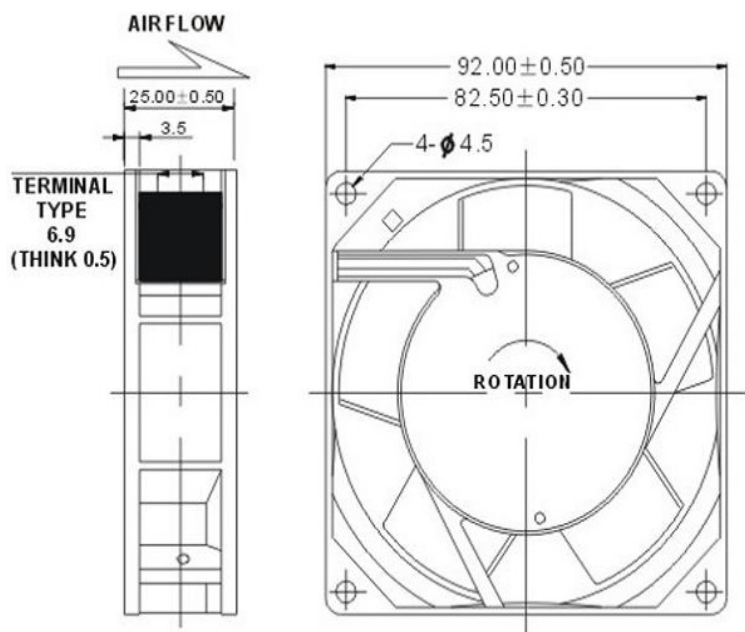
WEIGHT :

280 grams

Specifications

Specifications are subject to change without notice

| MODEL | BEARING | RATING VOLTAGE | FREQUENCY | RATING CURRENT | POWER CONSUMPTION | SPEED | AIR FLOW | | STATIC PRESSURE | NOISE |
|-----------|---------|----------------|-----------|----------------|-------------------|-----------|---------------------|-------|--------------------|-------|
| | | VAC | Hz | A | W | RPM | m ³ /min | CFM | mmH ₂ O | dB-A |
| FA9225HA1 | Ball | 115 | 50/60 | 0.12/0.11 | 13/12 | 2550/2900 | 0.85/1.05 | 30/37 | 3.30/4.83 | 32/37 |
| FA9225HA1 | Sleeve | | | | | | | | | |
| FA9225HA2 | Ball | 220/240 | 50/60 | 0.07/0.06 | 14/13.5 | 2550/2900 | 0.85/1.05 | 30/37 | 3.30/4.83 | 32/37 |
| FA9225HA2 | Sleeve | | | | | | | | | |



UNIT:mm

