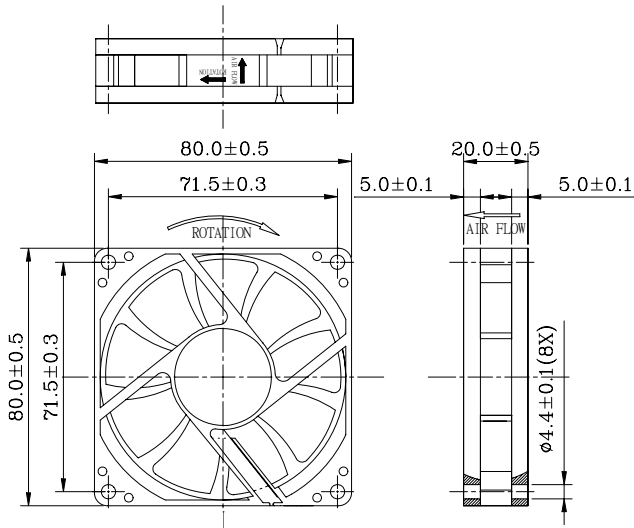


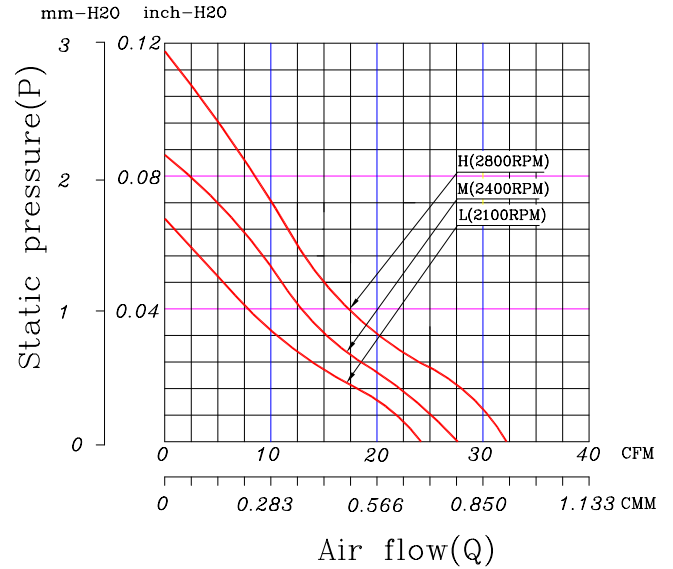


## 80 x 80 x 20 mm Series

### Dimensions



### Performance Curves



Air exhaust over struts. Rotational direction CCW looking at rotor

Brushless DC Motor	Bearing Type
Housing: PBT 94V0	● CeraDyna A
Impeller: PBT 94V0	● CeraDyna C
Weight: 67 g	● 2-Ball
Impedance protected	● 1-Ball-1-Sleeve
Lead wire UL 1095 AWG 28	● Sleeve

Function options	
● Frequency Generator	● Auto Restart
○ Temperature Control	● Rotation Detection
○ PWM Control	

\* Safety Approval: CE, UL, TUV

\* All fans are with electronic protection against reverse polarity. The fan only operates when the polarity is correct.

### Specifications

Model	Rated Voltage (VDC)	Rated Current (Amp)	Input Power (Watts)	Nominal Speed (RPM)	Airflow (CFM)	Static Pressure (inch-H <sub>2</sub> O)	Noise Level (dBA)
FD1280-A10XXD	12	0.19	2.28	2800	32.21	0.12	29.00
FD1280-A20XXD	12	0.15	1.80	2400	27.62	0.09	26.50
FD1280-A30XXD	12	0.12	1.44	2100	24.16	0.07	23.00
FD2480-A10XXD	24	0.13	3.12	2800	32.21	0.12	29.00
FD2480-A20XXD	24	0.10	2.40	2400	27.62	0.09	26.50
FD2480-A30XXD	24	0.08	1.92	2100	24.16	0.07	23.00

\* All readings are typical value at rated voltage.

\* Please refer to **PART NUMBER SYSTEM** for bearing type and part number "XX" designation.

\* Specifications are subject to change without prior notice.

\* Please specify revision number when ordering.