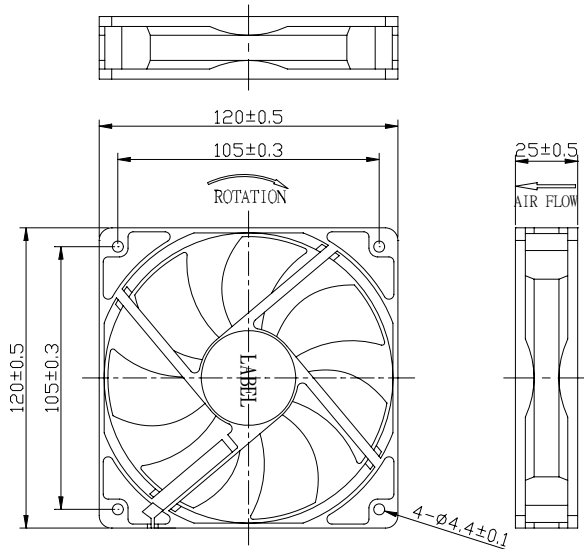
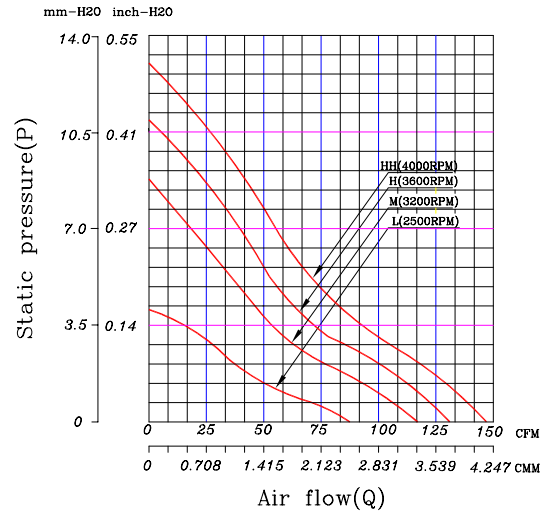



**120 x 120 x 25 mm Series**
**Rev III**
**Dimensions**

**Performance Curves**


Brushless DC Motor	Bearing Type
Housing: PBT 94V0	● CeraDyna A
Impeller: PBT 94V0	○ CeraDyna C
Weight: 120 g	● 2-Ball
Impedance protected	○ 1-Ball-1-Sleeve
Lead wire UL 1095 AWG 28	● Sleeve

Function options	
● Frequency Generator	● Auto Restart
● Temperature Control	● Rotation Detection
● PWM Control	

\* Safety Approval: CE, UL, TUV

\* All fans are with electronic protection against reverse polarity. The fan only operates when the polarity is correct.

**Specifications**

Model	Rated Voltage (VDC)	Rated Current (Amp)	Input Power (Watts)	Nominal Speed (RPM)	Static Airflow (CFM)	Static Pressure (inch-H <sub>2</sub> O)	Noise Level (dBA)
FD1212-AP28XE	12	0.85	10.20	900~4000	146.97	0.51	52.2
FD1212-A02XXE	12	0.85	10.20	4000	146.97	0.51	52.2
FD1212-A12XXE	12	0.67	8.04	3600	131.03	0.43	49.9
FD1212-A22XXE	12	0.45	5.40	3200	117.05	0.35	48.3
FD1212-A32XXE	12	0.29	3.48	2500	87.80	0.14	42.0
FD2412-AP28XE	24	0.47	11.28	900~4000	146.97	0.51	52.2
FD2412-A02XXE	24	0.47	11.28	4000	146.97	0.51	52.2
FD2412-A12XXE	24	0.33	7.92	3600	131.03	0.43	49.9
FD2412-A22XXE	24	0.27	6.48	3200	117.05	0.35	48.3
FD2412-A32XXE	24	0.17	4.08	2500	87.80	0.14	42.0

\* All readings are typical value at rated voltage.

 \* Please refer to **PART NUMBER SYSTEM** for bearing type and part number "XX" designation.

\* Specifications are subject to change without prior notice.

\* Please specify revision number when ordering.