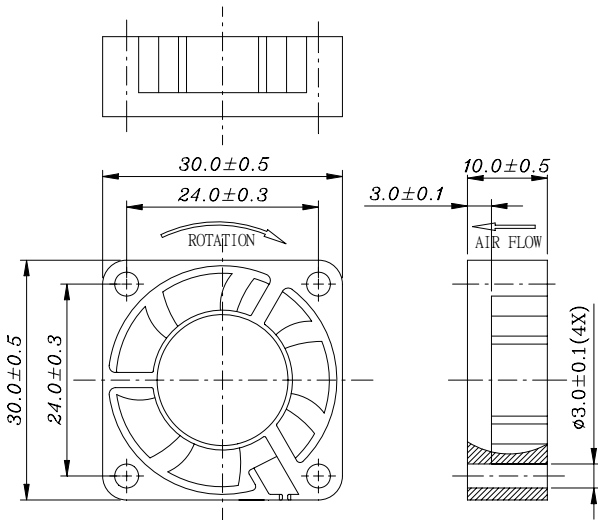


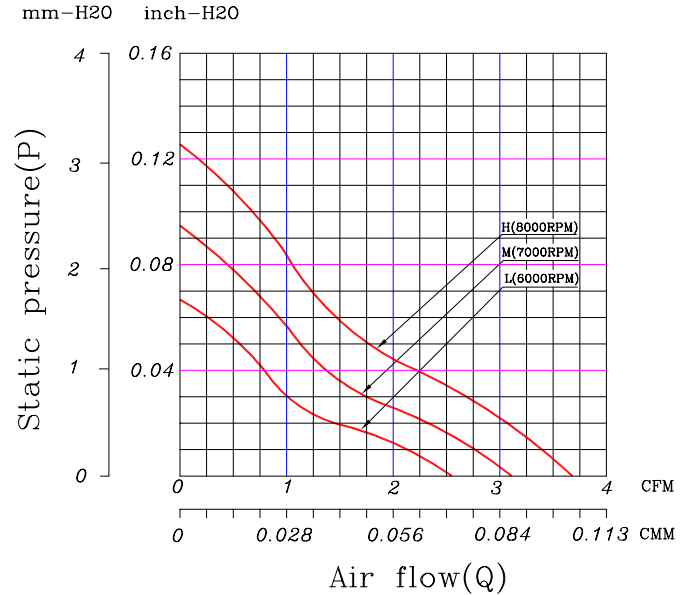


## 30 x 30 x 10 mm Series

### Dimensions



### Performance Curves



Air exhaust over struts. Rotational direction CCW looking at rotor.

Brushless DC Motor	Bearing Type
Housing: PBT 94V0	● CeraDyna A
Impeller: PBT 94V0	● CeraDyna C
Weight: 8 g	● 2-Ball
Impedance protected	○ 1-Ball-1-Sleeve
Lead wire UL 1095 AWG 28	● Sleeve

Function options	
● Frequency Generator	● Auto Restart
○ Temperature Control	○ Rotation Detection
○ PWM Control	

\* Safety Approval: CE, UL, TUV

\* All fans are with electronic protection against reverse polarity. The fan only operates when the polarity is correct.

### Specifications

Model	Rated Voltage (VDC)	Rated Current (Amp)	Input Power (Watts)	Nominal Speed (RPM)	Airflow (CFM)	Static Pressure (inch-H <sub>2</sub> O)	Noise Level (dBA)
FD0530-A10XXA	5	0.18	0.90	8000	3.68	0.12	24.50
FD0530-A20XXA	5	0.12	0.60	7000	3.11	0.09	23.50
FD0530-A30XXA	5	0.09	0.45	6000	2.55	0.07	22.50
FD1230-A10XXA	12	0.09	1.08	8000	3.68	0.12	24.50
FD1230-A20XXA	12	0.08	0.96	7000	3.11	0.09	23.50
FD1230-A30XXA	12	0.06	0.72	6000	2.55	0.07	22.50

\* All readings are typical value at rated voltage.

\* Please refer to **PART NUMBER SYSTEM** for bearing type and part number "XX" designation.

\* Specifications are subject to change without prior notice.

\* Please specify revision number when ordering.