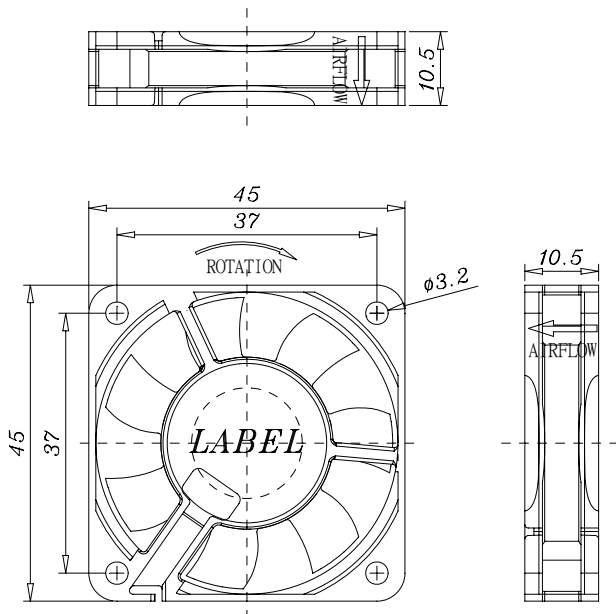
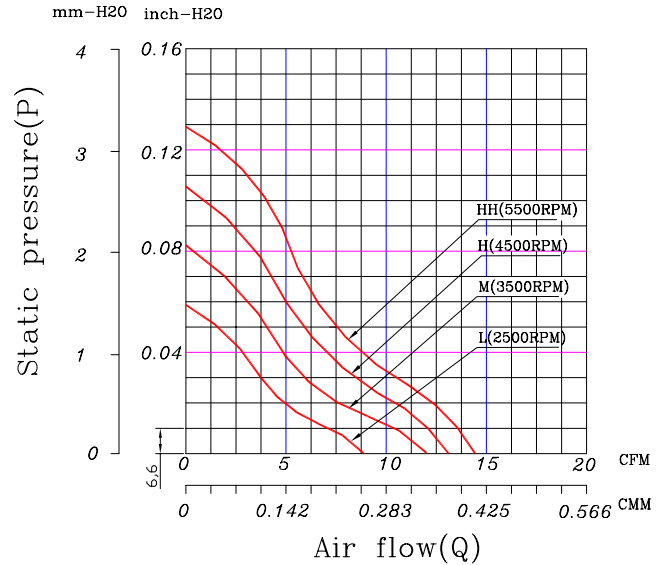



45 x 45 x 10 mm Series
5 VDC
Dimensions

Performance Curves


Air exhaust radial, through housing port. Rotational direction CW looking at rotor.

| Brushless DC Motor | Bearing Type |
|--------------------------|-------------------|
| Housing: PBT 94V0 | ● CeraDyna A |
| Impeller: PBT 94V0 | ● CeraDyna C |
| Weight: 15 g | ● 2-Ball |
| Impedance protected | ● 1-Ball-1-Sleeve |
| Lead wire UL 1095 AWG 28 | ● Sleeve |

| Function options | |
|-----------------------|----------------------|
| ● Frequency Generator | ● Auto Restart |
| ○ Temperature Control | ● Rotation Detection |
| ○ PWM Control | |

* Safety Approval: CE, UL, TUV

* All fans are with electronic protection against reverse polarity. The fan only operates when the polarity is correct.

Specifications

| Model | Rated Voltage (VDC) | Rated Current (Amp) | Input Power (Watts) | Nominal Speed (RPM) | Airflow (CFM) | Static Pressure (inch-H ₂ O) | Noise Level (dBA) |
|---------------|---------------------|---------------------|---------------------|---------------------|---------------|---|-------------------|
| FD0545-A00XXA | 5 | 0.28 | 1.40 | 5500 | 13.48 | 0.13 | 33.00 |
| FD0545-A10XXA | 5 | 0.19 | 0.95 | 4500 | 11.03 | 0.10 | 27.00 |
| FD0545-A20XXA | 5 | 0.10 | 0.50 | 3500 | 8.58 | 0.08 | 23.00 |
| FD0545-A30XXA | 5 | 0.07 | 0.35 | 2500 | 6.13 | 0.06 | 20.00 |

* All readings are typical value at rated voltage.

 * Please refer to **PART NUMBER SYSTEM** for bearing type and part number "XX" designation.

* Specifications are subject to change without prior notice.

* Please specify revision number when ordering.