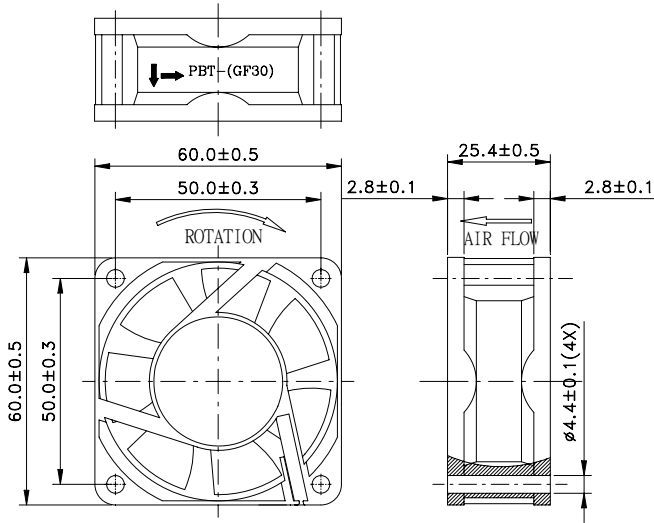




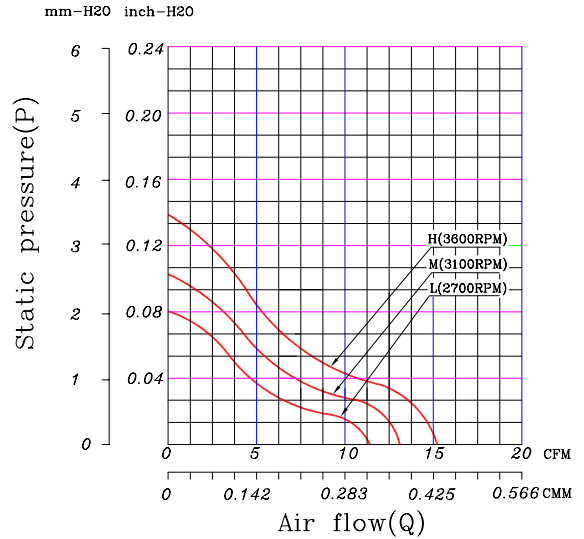
**60 x 60 x 25 mm Series**

**Rev I**

**Dimensions**



**Performance Curves**



Air exhaust over struts. Rotational direction CCW looking at rotor

Brushless DC Motor	Bearing Type
Housing: PBT 94V0	● CeraDyna A
Impeller: PBT 94V0	● CeraDyna C
Weight: 56 g	● 2-Ball
Impedance protected	● 1-Ball-1-Sleeve
Lead wire UL 1095 AWG 28	● Sleeve

Function options	
● Frequency Generator	● Auto Restart
● Temperature Control	● Rotation Detection
○ PWM Control	

\* Safety Approval: CE, UL, TUV

\* All fans are with electronic protection against reverse polarity. The fan only operates when the polarity is correct.

**Specifications**

Model	Rated Voltage (VDC)	Rated Current (Amp)	Input Power (Watts)	Nominal Speed (RPM)	Airflow (CFM)	Static Pressure (inch-H2O)	Noise Level (dBA)
FD1260-A10XXE	12	0.15	1.80	3600	15.22	0.14	27.50
FD1260-A20XXE	12	0.12	1.44	3100	13.10	0.10	24.50
FD1260-A30XXE	12	0.08	0.96	2700	11.41	0.08	23.00
FD2460-A10XXE	24	0.13	3.12	3600	15.22	0.14	27.50
FD2460-A20XXE	24	0.10	2.40	3100	13.10	0.10	24.50
FD2460-A30XXE	24	0.08	1.92	2700	11.41	0.08	23.00

\* All readings are typical value at rated voltage.

\* Please refer to **PART NUMBER SYSTEM** for bearing type and part number "XX" designation.

\* Specifications are subject to change without prior notice.

\* Please specify revision number when ordering.