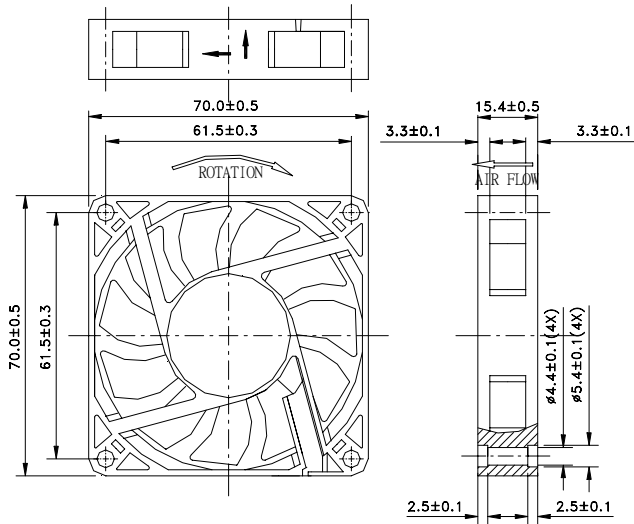
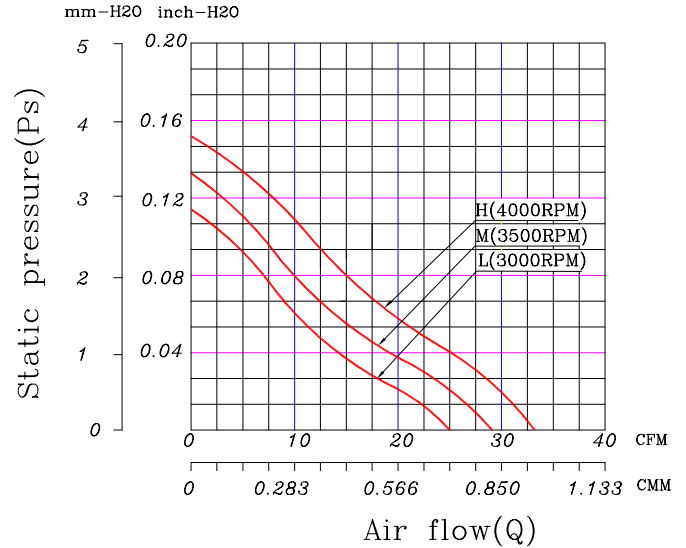



**70 x 70 x 15 mm Series**
**Rev II-12/24VDC**
**Dimensions**

**Performance Curves**


Air exhaust over struts. Rotational direction CCW looking at rotor

Brushless DC Motor	Bearing Type
Housing: PBT 94V0	● CeraDyna A
Impeller: PBT 94V0	● CeraDyna C
Weight: 47 g	● 2-Ball
Impedance protected	● 1-Ball-1-Sleeve
Lead wire UL 1095 AWG 28	● Sleeve

Function options	
● Frequency Generator	● Auto Restart
○ Temperature Control	● Rotation Detection
○ PWM Control	

\* Safety Approval: CE, UL, TUV

\* All fans are with electronic protection against reverse polarity. The fan only operates when the polarity is correct.

**Specifications**

Model	Rated Voltage (VDC)	Rated Current (Amp)	Input Power (Watts)	Nominal Speed (RPM)	Airflow (CFM)	Static Pressure (inch-H <sub>2</sub> O)	Noise Level (dBA)
FD1270-A11XXC	12	0.23	2.76	4000	33.20	0.15	35.00
FD1270-A21XXC	12	0.16	1.92	3500	29.10	0.13	32.00
FD1270-A31XXC	12	0.11	1.32	3000	25.00	0.11	28.00
FD2470-A11XXC	24	0.15	3.60	4000	33.20	0.15	35.00
FD2470-A21XXC	24	0.12	2.88	3500	29.10	0.13	32.00
FD2470-A31XXC	24	0.08	1.92	3000	25.00	0.11	28.00

\* All readings are typical value at rated voltage.

 \* Please refer to **PART NUMBER SYSTEM** for bearing type and part number "XX" designation.

\* Specifications are subject to change without prior notice.

\* Please specify revision number when ordering.