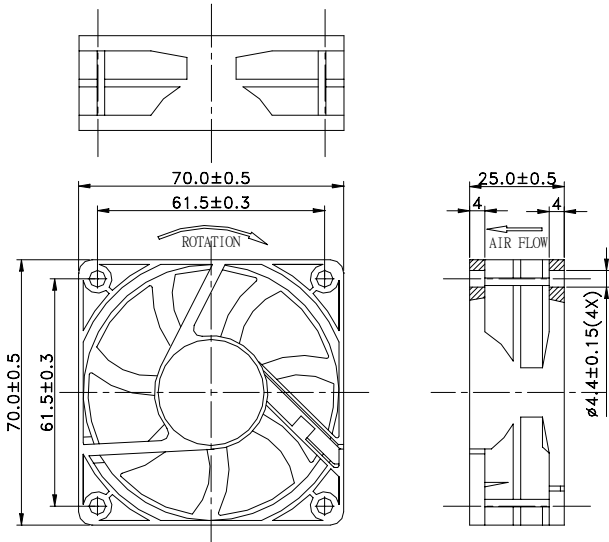
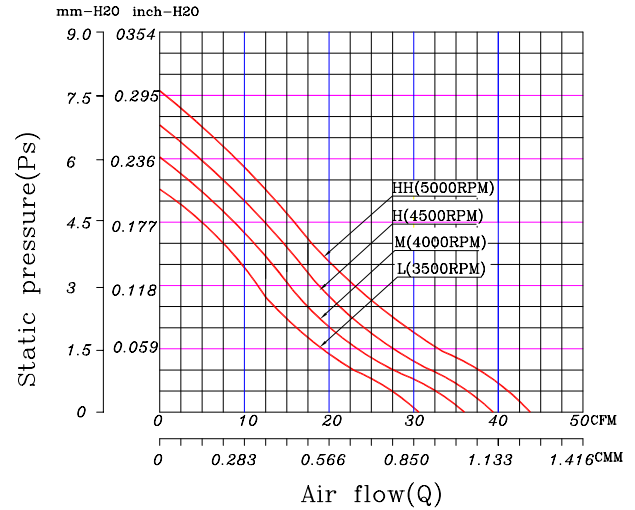



**70 x 70 x 25 mm Series**
**12/24VDC**
**Dimensions**

**Performance Curves**


Air exhaust over struts. Rotational direction CCW looking at rotor

Brushless DC Motor	Bearing Type
Housing: PBT 94V0	● CeraDyna A
Impeller: PBT 94V0	○ CeraDyna C
Weight: 54 g	● 2-Ball
Impedance protected	● 1-Ball-1-Sleeve
Lead wire UL 1095 AWG 28	● Sleeve

Function options	
● Frequency Generator	● Auto Restart
● Temperature Control	● Rotation Detection
○ PWM Control	

\* Safety Approval: CE, UL, TUV

\* All fans are with electronic protection against reverse polarity. The fan only operates when the polarity is correct.

**Specifications**

Model	Rated Voltage (VDC)	Rated Current (Amp)	Input Power (Watts)	Nominal Speed (RPM)	Airflow (CFM)	Static Pressure (inch-H <sub>2</sub> O)	Noise Level (dBA)
FD1270-A00XXE	12	0.35	4.20	5000	43.78	0.30	41.00
FD1270-A10XXE	12	0.25	3.00	4500	39.40	0.27	39.00
FD1270-A20XXE	12	0.21	2.52	4000	36.00	0.24	36.00
FD1270-A30XXE	12	0.16	1.92	3500	30.60	0.21	33.00
FD2470-A00XXE	24	0.21	5.04	5000	43.78	0.30	41.00
FD2470-A10XXE	24	0.17	4.08	4500	39.40	0.27	39.00
FD2470-A20XXE	24	0.14	3.36	4000	36.00	0.24	36.00
FD2470-A30XXE	24	0.10	2.40	3500	30.60	0.21	33.00

\* All readings are typical value at rated voltage.

 \* Please refer to **PART NUMBER SYSTEM** for bearing type and part number "XX" designation.

\* Specifications are subject to change without prior notice.

\* Please specify revision number when ordering.