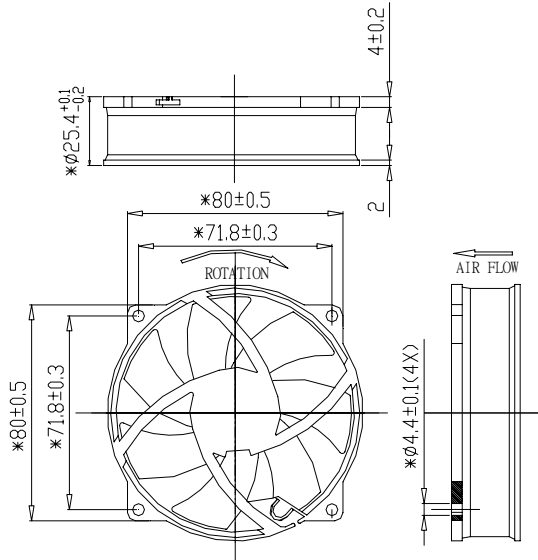
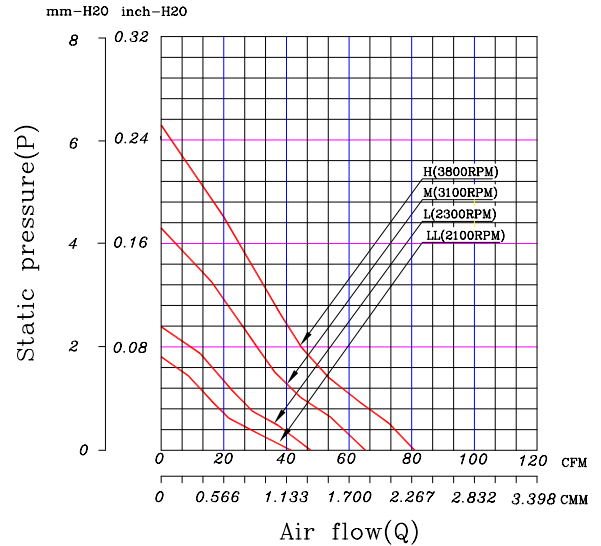



**92 x 92 x 25 mm Series**
**Rev III**
**Dimensions**

**Performance Curves**


Air exhaust over struts. Rotational direction CCW looking at rotor

Brushless DC Motor	Bearing Type
Housing: PBT 94V0	● CeraDyna A
Impeller: PBT 94V0	● CeraDyna C
Weight: 80 g	● 2-Ball
Impedance protected	● 1-Ball-1-Sleeve
Lead wire UL 1095 AWG 28	● Sleeve

Function options	
● Frequency Generator	● Auto Restart
● Temperature Control	● Rotation Detection
● PWM Control	

\* Safety Approval: CE, UL, TUV

\* All fans are with electronic protection against reverse polarity. The fan only operates when the polarity is correct.

**Specifications**

Model	Rated Voltage (VDC)	Rated Current (Amp)	Input Power (Watts)	Nominal Speed (RPM)	Airflow (CFM)	Static Pressure (inch-H <sub>2</sub> O)	Noise Level (dBA)
FD1290-AP28XE	12	0.55	6.60	750~3800	80.90	0.24	46.90
FD1290-A12XXE	12	0.55	6.60	3800	80.90	0.24	46.90
FD1290-A22XXE	12	0.37	4.44	3100	65.13	0.17	41.50
FD1290-A32XXE	12	0.19	2.28	2300	47.71	0.09	33.10
FD1290-A42XXE	12	0.18	2.16	2100	41.40	0.07	29.90

\* All readings are typical value at rated voltage.

 \* Please refer to **PART NUMBER SYSTEM** for bearing type and part number "XX" designation.

\* Specifications are subject to change without prior notice.

\* Please specify revision number when ordering.