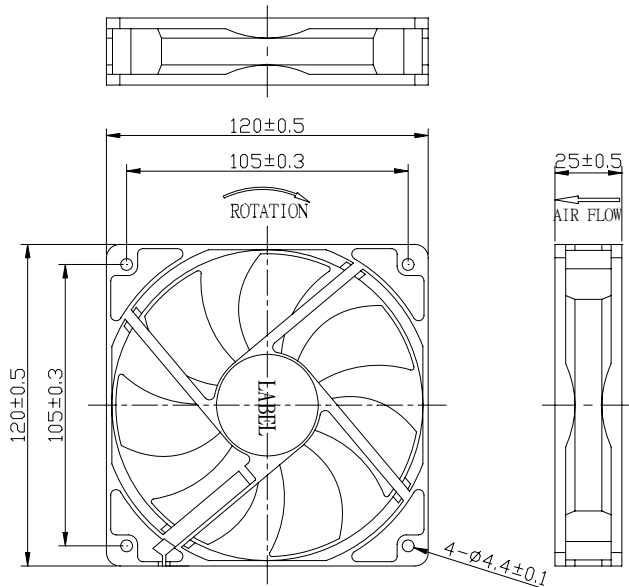
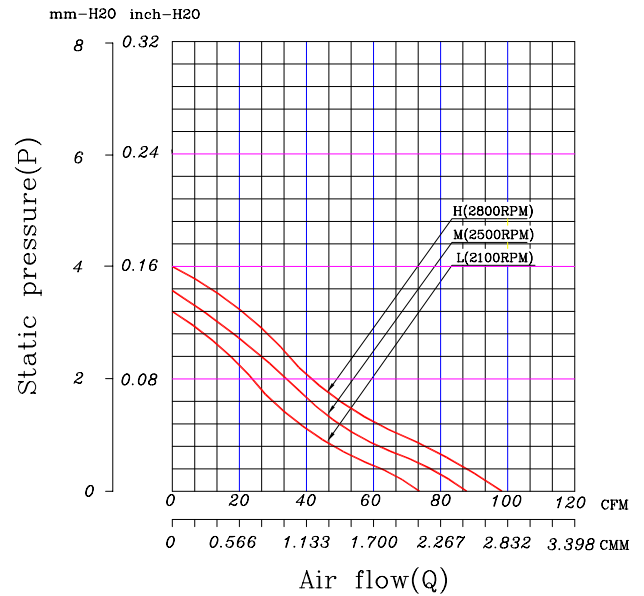



**120 x 120 x 25 mm Series**
**Rev II**
**Dimensions**

**Performance Curves**


Brushless DC Motor	Bearing Type
Housing: PBT 94V0	● CeraDyna A
Impeller: PBT 94V0	○ CeraDyna C
Weight: 120 g	● 2-Ball
Impedance protected	○ 1-Ball-1-Sleeve
Lead wire UL 1095 AWG 28	● Sleeve

Function options	
● Frequency Generator	● Auto Restart
● Temperature Control	● Rotation Detection
○ PWM Control	

\* Safety Approval: CE, UL, TUV

\* All fans are with electronic protection against reverse polarity. The fan only operates when the polarity is correct.

**Specifications**

Model	Rated Voltage (VDC)	Rated Current (Amp)	Input Power (Watts)	Nominal Speed (RPM)	Airflow (CFM)	Static Pressure (inch-H <sub>2</sub> O)	Noise Level (dBA)
FD1212-A11XXE	12	0.54	6.48	2800	98.30	0.16	47.00
FD1212-A21XXE	12	0.34	4.08	2500	87.80	0.14	42.00
FD1212-A31XXE	12	0.31	3.72	2100	73.70	0.12	38.00
FD2412-A11XXE	24	0.32	7.68	2800	98.30	0.16	47.00
FD2412-A21XXE	24	0.27	6.48	2500	87.80	0.14	42.00
FD2412-A31XXE	24	0.15	3.60	2100	73.70	0.12	38.00

\* All readings are typical value at rated voltage.

 \* Please refer to **PART NUMBER SYSTEM** for bearing type and part number "XX" designation.

\* Specifications are subject to change without prior notice.

\* Please specify revision number when ordering.