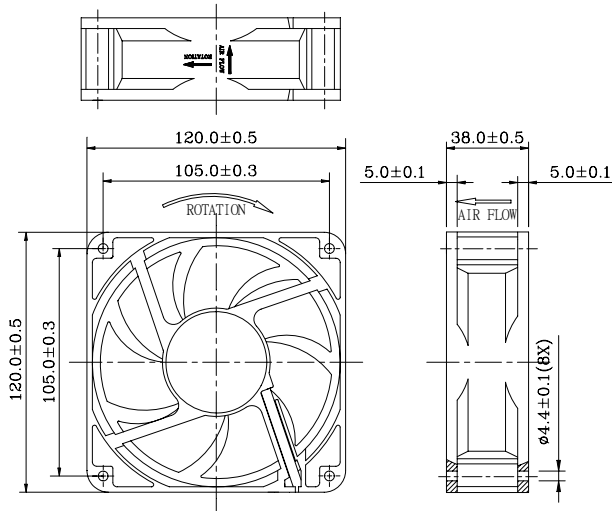




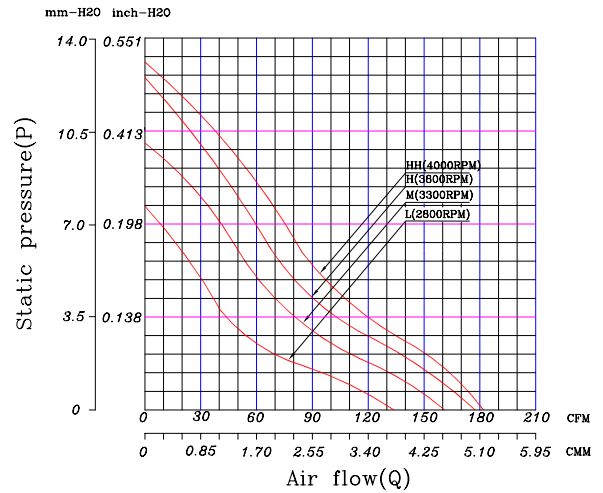
120 x 120 x 38 mm Series

Rev III-24 VDC

Dimensions



Performance Curves



Air exhaust over struts. Rotational direction CCW looking at rotor

| Brushless DC Motor | Bearing Type |
|--------------------------|-------------------|
| Housing: PBT 94V0 | ● CeraDyna A |
| Impeller: PBT 94V0 | ○ CeraDyna C |
| Weight: 265 g | ● 2-Ball |
| Impedance protected | ○ 1-Ball-1-Sleeve |
| Lead wire UL 1095 AWG 28 | ● Sleeve |

| Function options | |
|-----------------------|----------------------|
| ● Frequency Generator | ● Auto Restart |
| ● Temperature Control | ● Rotation Detection |
| ● PWM Control | |

* Safety Approval: CE, UL, TUV

* All fans are with electronic protection against reverse polarity. The fan only operates when the polarity is correct.

Specifications

| Model | Rated Voltage (VDC) | Rated Current (Amp) | Input Power (Watts) | Nominal Speed (RPM) | Airflow (CFM) | Static Pressure (inch-H ₂ O) | Noise Level (dBA) |
|---------------|---------------------|---------------------|---------------------|---------------------|---------------|---|-------------------|
| FD2412-AP28XG | 24 | 0.87 | 20.88 | 1000~4000 | 181.89 | 0.51 | 59.40 |
| FD2412-A02XXG | 24 | 0.87 | 20.88 | 4000 | 181.89 | 0.51 | 59.40 |
| FD2412-A12XXG | 24 | 0.64 | 15.36 | 3800 | 177.51 | 0.49 | 57.60 |
| FD2412-A22XXG | 24 | 0.50 | 12.00 | 3300 | 161.02 | 0.37 | 54.90 |
| FD2412-A32XXG | 24 | 0.30 | 7.20 | 2800 | 133.96 | 0.30 | 47.70 |

* All readings are typical value at rated voltage.

* Please refer to **PART NUMBER SYSTEM** for bearing type and part number "XX" designation.

* Specifications are subject to change without prior notice.

* Please specify revision number when ordering.